



The Love's Family of Companies



**LOVE'S  
FUELS THE  
VEHICLES  
THAT DRIVE  
THE U.S.  
ECONOMY.**

- **Love's Founded in 1964, Trillium Founded in 1994**
- Over 550 Stores Nationwide Across 41 States
- Top 10 Forbes Privately Held Companies
- Trillium Joined the Family in 2016
- **Corporate Office in Houston, TX**
- Combined Own 65 Public-Access CNG Stations
- **Operate over 200 CNG Stations**

**50+**

YEARS

supporting the transportation market

**25,000+**

EMPLOYEES

from engineers to customer service representatives

**500+**

FACILITIES

nationwide dispensing clean fuel for commercial fleets

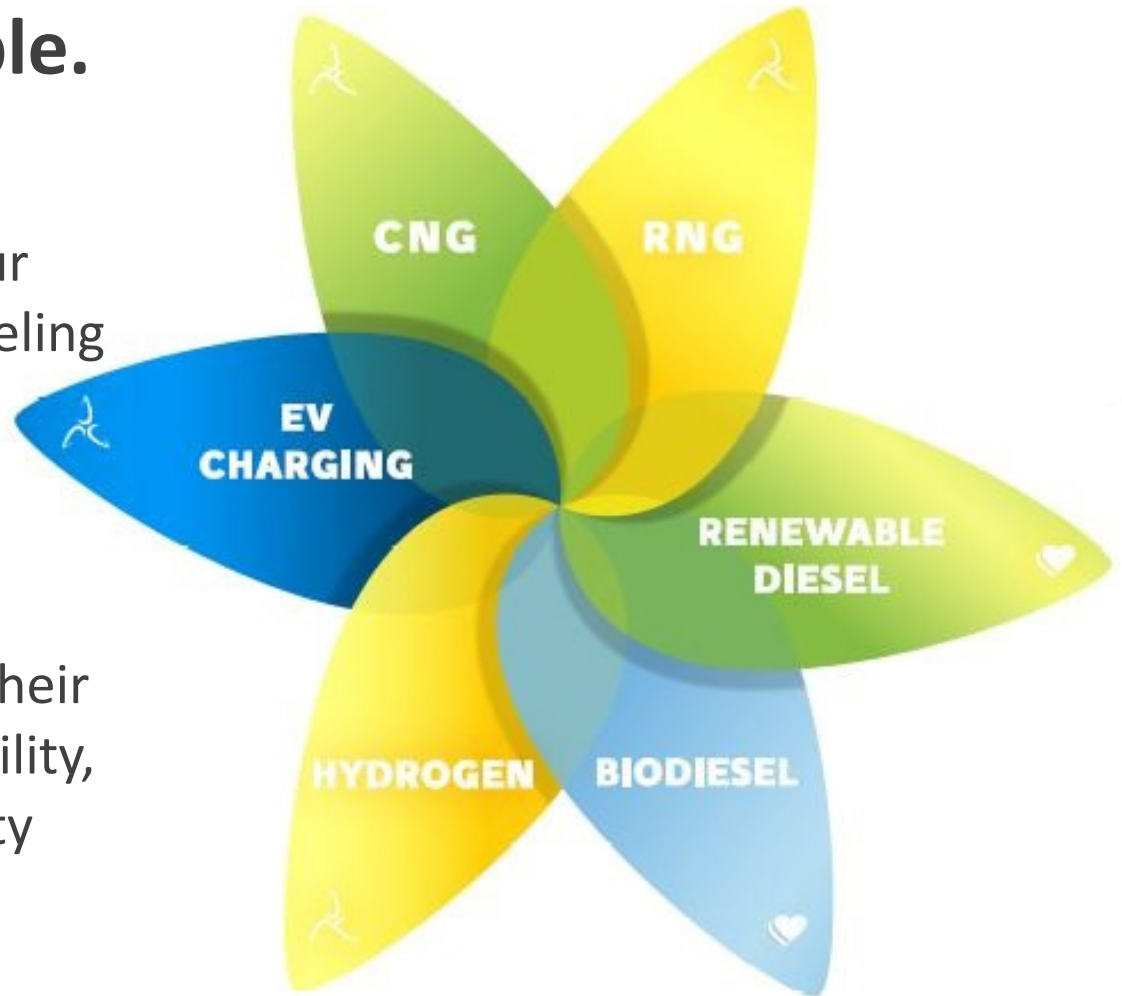
# One Partner, Any Fuel

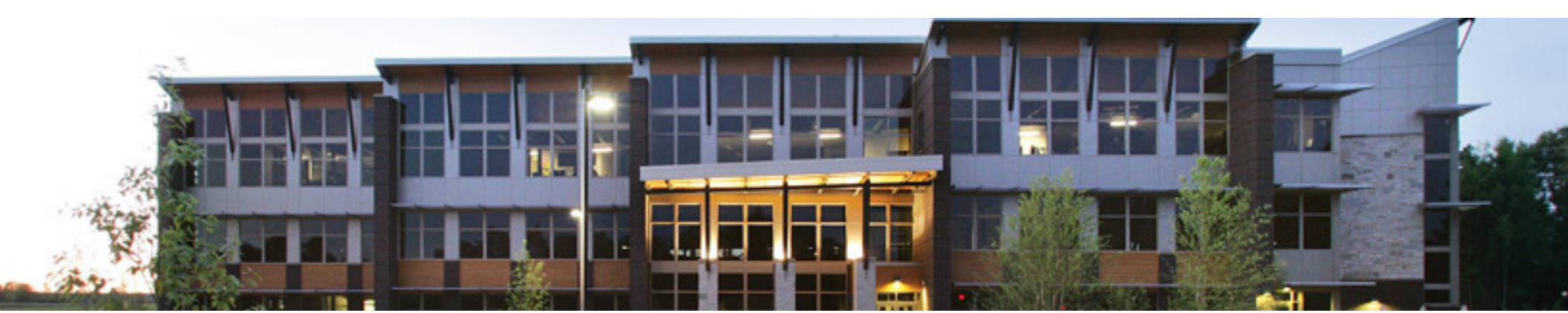


## It really can be that simple.

Through our Love's Family of Companies, Trillium can supply your fleet with any clean fuel as your fueling needs evolve and grow.

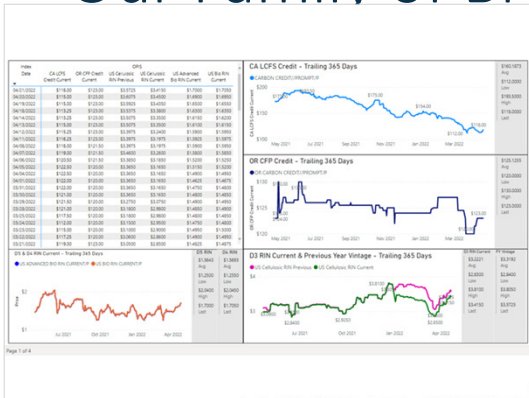
Trillium works with customers to identify the clean fuel and power supply sources that work best for their fuel station – balancing cost, reliability, deployment timelines, sustainability goals, location, and scale.





# U.S. Venture

## Our Family of Brands



transportation products and insight driving the world forward.

status quo for more than 70 years

's largest privately-held business

states with 2,500 team members

ing culture, philanthropic impact, and *Finding a Better Way*



# Our Offering

## 01 RNG Development

We're developing and distributing RNG from farms, landfills, and wastewater treatment plants.

## 02 Alternative Fuel

Through fuel supply and station builds, we're connecting fleets with RNG, electric, hydrogen, renewable diesel, biodiesel, and propane.

## 03 Credit Generation

Tenured in the RSF, LCFS, and CFP markets, our industry-leading trading team maximizes your return.

## 04 Thermal Energy

We are supplying organizations with RNG – targeting hard-to-abate sectors without the upfront capital.



01

02

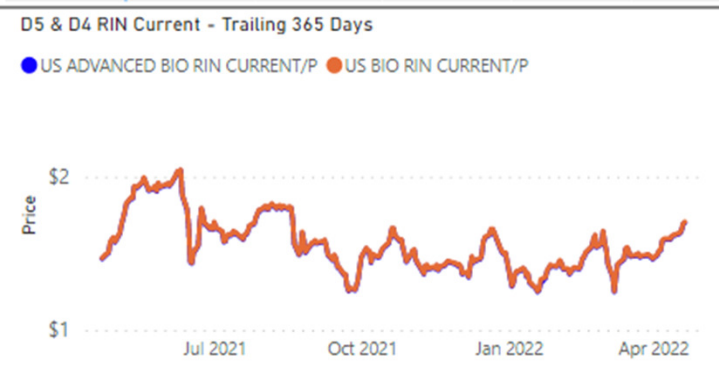
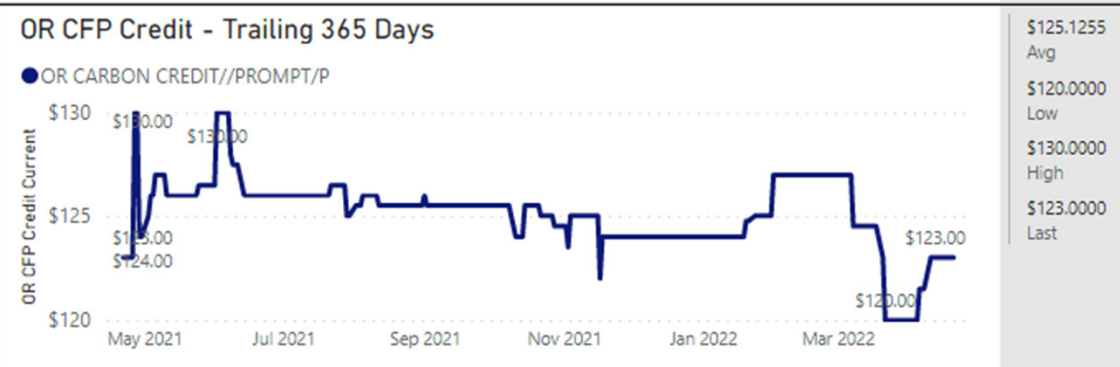


03

04



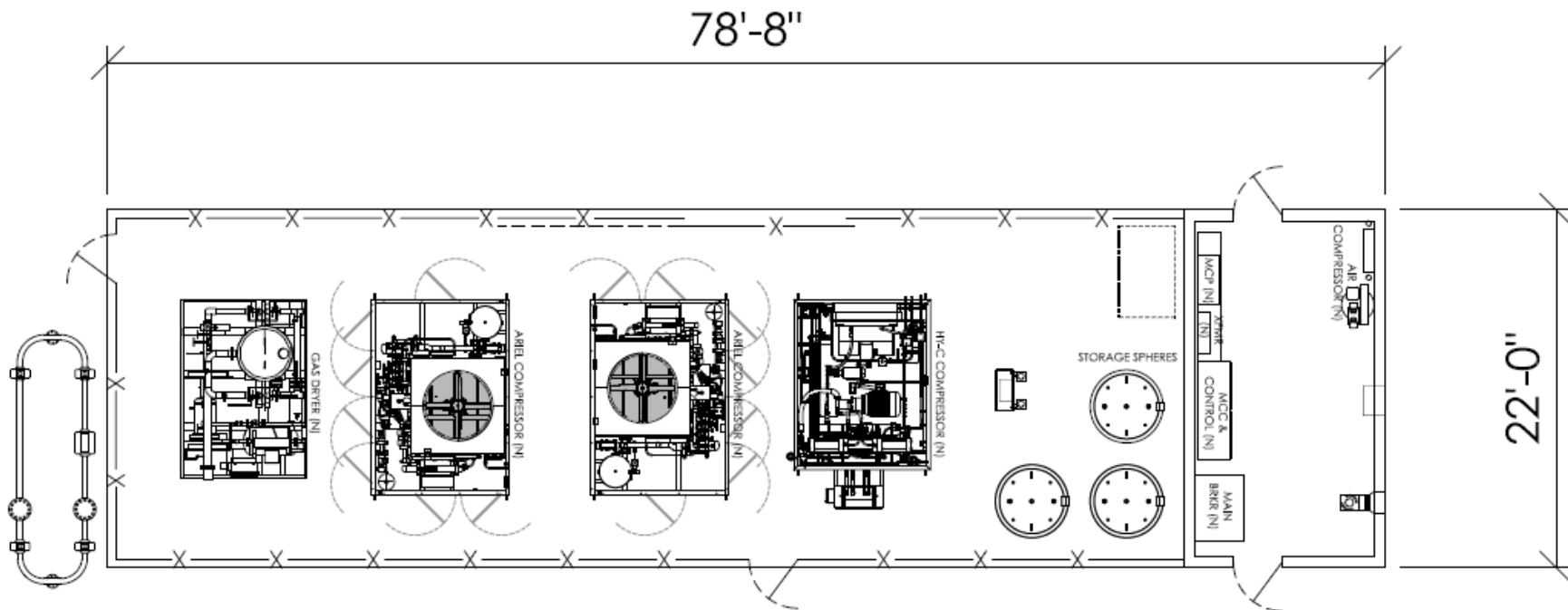
Index Date	OPIS					
	CA LCFS Credit Current	OR CFP Credit Current	US Cellulosic RIN Previous	US Cellulosic RIN Current	US Advanced Bio RIN Current	US Bio RIN Current
04/21/2022	\$118.00	\$123.00	\$3.5725	\$3.4150	\$1.7000	\$1.7050
04/20/2022	\$115.00	\$123.00	\$3.6075	\$3.4500	\$1.6900	\$1.6950
04/19/2022	\$115.00	\$123.00	\$3.5925	\$3.4350	\$1.6500	\$1.6550
04/18/2022	\$113.25	\$123.00	\$3.5375	\$3.3800	\$1.6300	\$1.6350
04/14/2022	\$113.25	\$123.00	\$3.5075	\$3.3500	\$1.6150	\$1.6200
04/13/2022	\$115.00	\$123.00	\$3.5075	\$3.3500	\$1.6100	\$1.6150
04/12/2022	\$115.25	\$123.00	\$3.3975	\$3.2400	\$1.5900	\$1.5950
04/11/2022	\$116.25	\$123.00	\$3.3975	\$3.1975	\$1.5925	\$1.5975
04/08/2022	\$118.00	\$121.50	\$3.3975	\$3.1975	\$1.5900	\$1.5950
04/07/2022	\$119.00	\$121.50	\$3.4600	\$3.2600	\$1.5800	\$1.5850
04/06/2022	\$120.50	\$121.50	\$3.3850	\$3.1850	\$1.5200	\$1.5250
04/05/2022	\$122.50	\$120.00	\$3.3650	\$3.1650	\$1.5150	\$1.5200
04/04/2022	\$122.50	\$120.00	\$3.3650	\$3.1650	\$1.4900	\$1.4950
04/01/2022	\$122.00	\$120.00	\$3.3650	\$3.1650	\$1.4625	\$1.4675
03/31/2022	\$122.00	\$120.00	\$3.3650	\$3.1650	\$1.4750	\$1.4800
03/30/2022	\$121.00	\$120.00	\$3.3650	\$3.1650	\$1.4800	\$1.4850
03/29/2022	\$121.50	\$120.00	\$3.2750	\$3.0750	\$1.4900	\$1.4950
03/28/2022	\$121.00	\$120.00	\$3.1800	\$2.9800	\$1.4850	\$1.4900
03/25/2022	\$117.50	\$120.00	\$3.1800	\$2.9800	\$1.4800	\$1.4850
03/24/2022	\$112.00	\$120.00	\$3.1500	\$2.9500	\$1.4750	\$1.4800
03/23/2022	\$115.00	\$120.00	\$3.1000	\$2.9000	\$1.4950	\$1.5000
03/22/2022	\$117.25	\$120.00	\$3.0600	\$2.8600	\$1.4900	\$1.4950
03/21/2022	\$119.00	\$123.00	\$3.0500	\$2.8500	\$1.4825	\$1.4875



D5 RIN	D4 RIN	
Avg	\$1.5643	\$1.5693
Low	\$1.2500	\$1.2550
High	\$2.0400	\$2.0450
Last	\$1.7000	\$1.7050



# Site Layout Process





# U.S. Gain – CNG

## *R/CNG Station*

### Infrastructure: Time Fill

#### Less Overhead Cost

- Simplified metering & no POS
- Less compression
- Less storage

#### Total Fleet Fueling

- Multiple vehicle fueling
- Ideal for overnight fueling

